

Being ecologically friendly does not mean you have to sacrifice features. NATIONAL TIME is proud to introduce **the industry's lowest power consuming digital clock** with features beyond those of other manufacturers. Having the industry's lowest power consumption means more clocks can be powered from a single power supply, longer wire distances and less expensive smaller wire gauges. Compare competitor's currents at 12 to 15 times our current! This adds up to savings to the installer as well as the owner with lower operating costs.

This new microprocessor based secondary clock and the National Time Master Clocks form a unique time keeping system offering **on demand time correction**. This digital communication format can provide power and instantly correct all secondary clocks to any time of day using only two conductor low voltage wire. For systems not utilizing National's Master Clocks, 12-hour resets may be accomplished with a short power interruption each 12:00. **12 hour or 24 hour time format** is selectable at each clock.

**Stand-alone operation** without a master clock is also made possible using the included time setting buttons. A **battery-less backup timekeeping** circuit is capable of surviving power outages over 10 days.

This premium series also offers NATSCO's exclusive **automatic dim** feature that decreases the brightness to compensate for low ambient light levels associated with artistic and video productions. This not only provides a pleasant brightness level, but also saves energy during nighttime hours. **Nine brightness levels** may be selected to satisfy the brightest locations.

Units can be powered by either 24VAC or 24VDC and have attractive 4" or 2.25" high visibility, wide-bar digits. 6-Digit versions also available, see DLX225-6 and DLX400-6. Compatible with 120VAC powered systems when the appropriate 24VAC transformer is mounted at each clock or double face unit. The **durable steel housing**, plug-in connectors and universal mounting plate simplify installation. An optional low profile surface box allows for surface mounted conduit entry. Powder grey finish standard, black and other colors upon request.



DLX225 Digital Clock

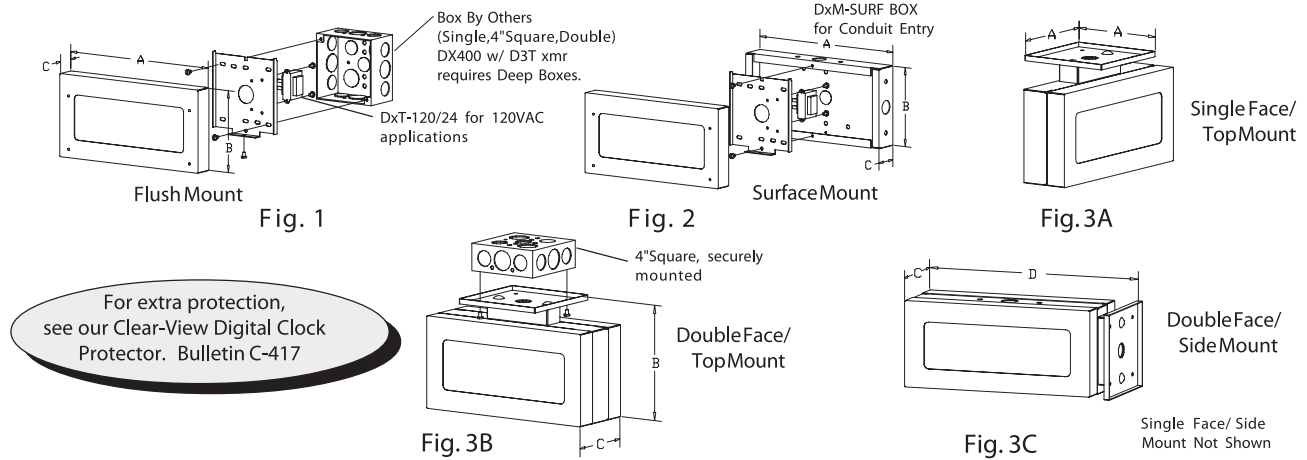


DLX400 Digital Clock  
Shown with Corridor Kit

## Features:

- Industry's Lowest Power Consumption
- RDS Analog Clock Compatible
- Long-Life Epoxy Sealed Display
- Auto-Dim Feature for Theatrical, Video, and Artistic Productions
- 9 Brightness Levels
- 12/24-hr Display Format
- Stand-Alone Operation Capable
- Battery-Less Backup Timekeeping
- Durable Steel Housing
- Plug-in Connectors
- 24VAC/DC 50/60hz Operation

## Mounting Options



For extra protection, see our Clear-View Digital Clock Protector. Bulletin C-417

## Specifications

### voltage Requirements:

**24VAC/DC:** Clocks will function with 24VAC/DC standard.

**120VAC:** Reset circuit operates 24VAC/DC or 120VAC. 120VAC Run power is supported with the addition of these transformers:

D2T-120/24 - Single/Double Face DLX225; Single Face DLX400

D3.5T-120/24 - Double Face DLX400

The transformer mounts to the back of the mounting plate and extends into the surface box or electrical box. The D2T-120/24 protrudes 1.18"; the D3.5T-120/24 protrudes 1.40"; (May require a Deep back box or the D400-SURF BOX.)

### Correction Formats Supported:

**2-Wire: On Demand Correction:** When used with National Time Master Clocks, clocks can correct to any time of day.

**12 Hour Reset:** An 'off' pulse (0.5 sec. minimum) at each 12:00 will reset all clocks. 24hr Clocks reset at 12:00am.

**Stand-Alone Operation:** Time set using push-buttons. Battery-less backup timekeeping for at least 10 days.

Part No.	Voltage	Range	Current@ Standard Brightness*	Current range all Brightness settings
DLX225	24VDC	11.5-32VDC	18mA	12-28mA
	24VAC	9-32VAC	32mA	23-46mA
	120VAC	105-132VAC	11mA	9-16mA
DLX400	24VDC	11.5-32VDC	28mA	15-51mA
	24VAC	9-32VAC	50mA	28-78mA
	120VAC	105-132VAC	16mA	11-26mA

\*Standard brightness is the factory setting of 4 @ 24VAC which is typical for most installations

## Ordering Information

Part No.	Fig	Description	Mounting	Dim A	B	C	D
DLX225	1	2.25" Digital Clock with Mounting Plate	4 Square, Double, Single	10.13	5.06	1.13	--
DLX400	1	4" Digital Clock with Mounting Plate	4 Square, Double, Single	16.88	7.13	1.38	--
D225-SURF BOX	2	Surface Mount Box for DLX225	4 Square, Single, Wall Surface	10.13	5.06	2.63	--
D400-SURF BOX	2	Surface Mount Box for DLX400	4 Square, Single, Wall Surface	16.88	7.13	3.38	--
D225-CORR KIT	3	DLX225 Corridor Conversion Kit; Side or Top Mount	Securely mounted 4 Square	5.00	6.30	3.75	11.40
D400-CORR KIT	3	DLX400 Corridor Conversion Kit; Side or Top Mount	Securely mounted 4 Square	5.00	8.44	4.75	18.20
D2T-120/24-2W	--	120/24VAC xfmr for Single/Dbl Face DLX225, Sgl DLX400	4 Sq, Dbl Gang, Surf/Corr. Box	--	--	--	--
D3.5T-120/24-2W	--	120/24VAC xfmr for Dbl Face DLX400	D225/400 Corr Kit/Deep 4 Sq.	--	--	--	--